



Equipment Stand

LightFry air fryer offers the quality your customer can see to improve profits and health for a quick return on investment. Pair LightFry with the right accessories to start air frying with excellent results.

The LightFry Equipment Stand is a sturdy working table that holds the LightFry at a standard working height, with a sturdy, adjustable shelf that allows for items to be stored below.



NSF Listed

This item meets the standards imposed by NSF International, which focuses on public safety, health, and the environment.

ITEM NUMBER

LF SVET3630

STANDARD FEATURES

- ❑ Top reinforced with 1 1/2" square tubing
- ❑ 3 sided 2" riser w/ hemmed edge
- ❑ Adjustable under shelf
- ❑ Work surface height 24"
- ❑ Evenly distributed static load of 2,000 lbs

MATERIALS

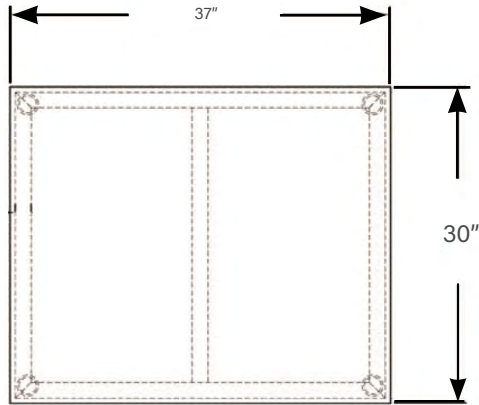
- ❑ Stainless steel with SS legs & under shelf
 - T-430 18 ga. stainless steel top
 - Stainless steel legs & adjustable under shelf with cast aluminum corners
 - Metal over plastic bullet feet

SPECIFICATIONS	
Length	37 Inches
Width	30 Inches
Height	24 Inches
Riser	2 Inches
Material	Stainless steel 18 gauge Series 430
Leg Material	Stainless Steel
Foot Material	Metal over plastic

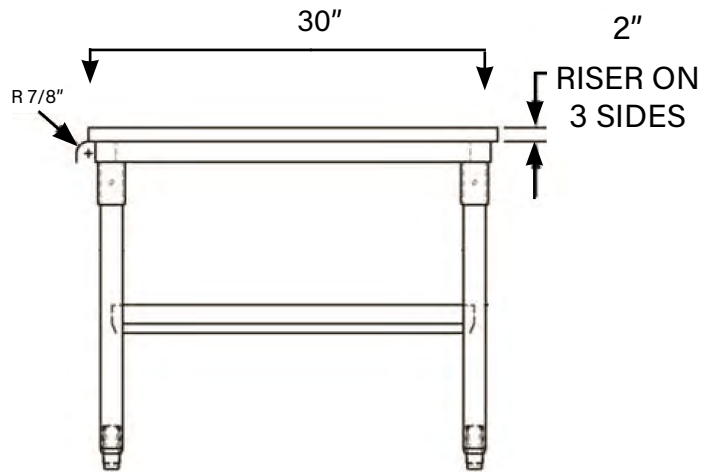


DIMENSIONS

Top



Side



Side

Front

