



Freezer Base

The Lightfry freezer base is delivered with a side worktop station that provides a stable mounting base and storage for Lightfry production requirements. The unit includes 2 drawers for frozen storage. Each of the drawers are produced out of stainless steel and provided with full extension stainless steel drawer slides with stops.

When using the top surface for various food prep tasks, the 1" back splash prevents ingredients and supplies from falling behind the freezer.

A full electronic control and automatic defrost simplify operation and maintenance.

ITEM NUMBER

LF LBFD8230S

STANDARD FEATURES

- ❑ Optimum height for LightFry placement
- ❑ 1" back splash keeps provides safe backstop for LightFry
- ❑ Self closing drawer system
- ❑ Removable snap in gaskets for easy cleaning
- ❑ Retains a freezer temperature in compliance with NSF
- ❑ Each drawer fits 1, 20"L x 12"W x 4" H hotel pan
- ❑ Defrost time clock
- ❑ Hold frozen product between 0 & 32F.

MATERIALS

- ❑ Top surface, one piece 16 Ga type 300 steel with channeled edge
- ❑ Interior, type 300 Ga stainless steel
- ❑ Front & doors, 20 Ga stainless steel
- ❑ Fully insulated with high density foamed in place polyurethane
- ❑ 2" diameter heavy duty adjustable 6-8" stainless steel legs.
- ❑ Interior type 300



NSF Listed

This item meets the standards imposed by NSF International, which focuses on public safety, health, and the environment.

CONTACT US

Revised: May 15, 2020

LIGHTFRY USA ∴ 1801 NORTH ELDER STREET ∴ NAMPA IDAHO 83687 USA

Visit: www.LightFryUSA.com ∴ Email: Support@LightFryUSA.com ∴ Ph: (208) 467 - 7441



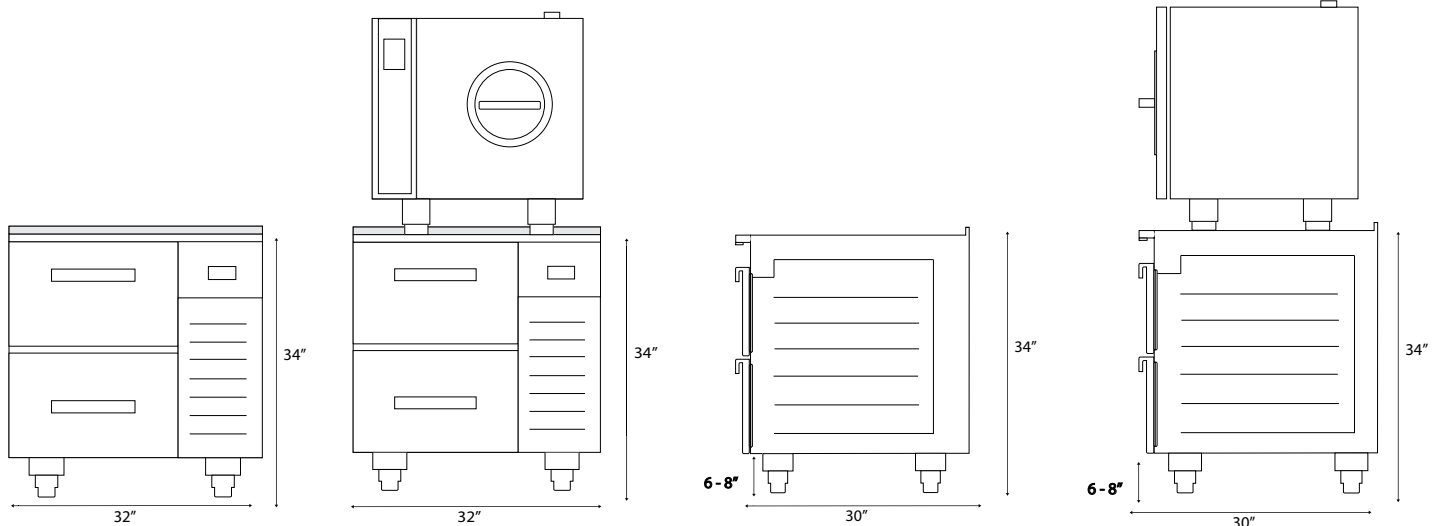
SPECIFICATIONS	
Width	32 Inches
Depth	30 Inches
Amps	9.3 Amps
Hertz	60 Hertz
Phase	1 Phase
Voltage	115 Volts
Access Type	Drawers (2)
Capacity	2, 12" x 20" Pans
Compressor Location	Side Mounted (right)
Horsepower	1/4 HP
Made in America	Yes
Number of Drawers	2
Refrigerant Type	404-A

DIMENSIONS

For LightFry 12U specifications please refer to the LightFry 12U Specification Sheet. LightFry pictured is for visual reference only.

Front

Side



CONTACT US

Revised: May 15, 2020

LIGHTFRY USA † 1801 NORTH ELDER STREET † NAMPA IDAHO 83687 USA

Visit: www.LightFryUSA.com † Email: Support@LightFryUSA.com † Ph: (208) 467 - 7441

