



EcoFry Ventless Control

MODEL LF1036166-1

EcoFry is an add on accessory to your LightFry oven that permits you to operate in compliance with the UL KNLZ (EPA 202 test method) standard for ventless cooking.



Standard Features

- ▣ Easily installs on your LightFry oven
- ▣ Requires 120-volt, 20-amp power
- ▣ No effect on the cooking performance of the oven
- ▣ All stainless-steel construction
- ▣ Interlocks with the Lightfry for seamless operation
- ▣ 1 Year parts and Labor

Weight and Size

- ▣ 32 lb. unpacked
- ▣ Shipping Dim: 34 in x 16 in x 9 in
- ▣ Shipping weight, 38 lb

Benefits from using the EcoFry

- ▣ Certified by Intertek for ventless operation on raw proteins
- ▣ Eliminates the need for a Type 1 vent hood for greasy exhaust
- ▣ Reduces the cleanup requirements around the oven
- ▣ Simplifies the process of installing the LightFry oven in existing locations

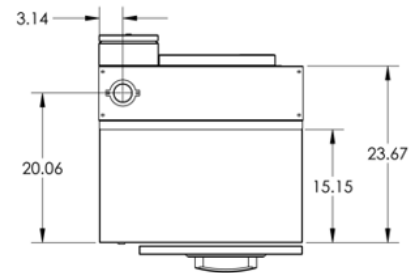
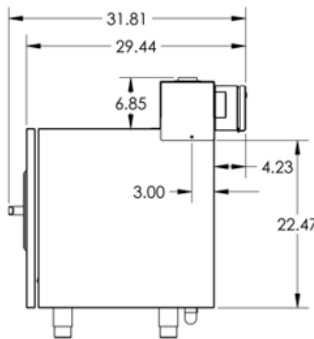
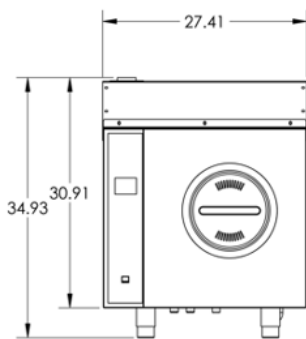




EcoFry Ventless Control

MODEL LF1036166-1

DIMENSIONS



Dimensions above are in Inches

Clearance	Left	Right	Rear	Exhaust
	Min 2" 12" from heat source	Min 2"	Min 2"	Min 4" from exhaust

Electrical	Power Configuration	Phase	Amp	Breaker	Kw	Wire	Cord
	120 volts	1 Ph 60 Hz	12 Amp Circuit	20 amp	15 kw	3 wire	8 ft cord 14 gauge

CONTACT US

LIGHTFRY LLC USA : 1801 N. ELDER STREET : NAMPA IDAHO 83687 USA

Revised: June 2022

Visit: www.LightFryUSA.com : Email: Kraymondusa@LightFryUSA.com : Ph: (208) 467-7441

